



THE MACOMB GROUP
BUILT TO SAY *YES*[™]

VALVE AUTOMATION DIVISION

VALVES & ACTUATORS

Need help solving a complex valve problem? With more than 30 years of experience, The Macomb Group's Valve Automation Division has the knowledge and commitment to customer service that's necessary to make your next valve automation project a success. 'YES' we're here to help you expedite, innovate, customize, economize and more.

PNEUMATIC, ELECTRIC & ACCESSORIES



Pneumatic Rack & Pinion Actuators



Thermoplastic Valves and Electric Actuators



Industrial Process Ball Valves



Industrial Process Ball Valves



Pneumatic & Electric Actuators,
Intelligent Electric Actuators
& Controls for Quarter Turn
& Multi Turn Applications



Intelligent Electric Actuators
& Controls for Quarter Turn
& Multi Turn Applications,
Factory Authorized Service Center



General Application Ball Valves,
Pneumatic & Electric Actuators



Pneumatic & Electric Actuators

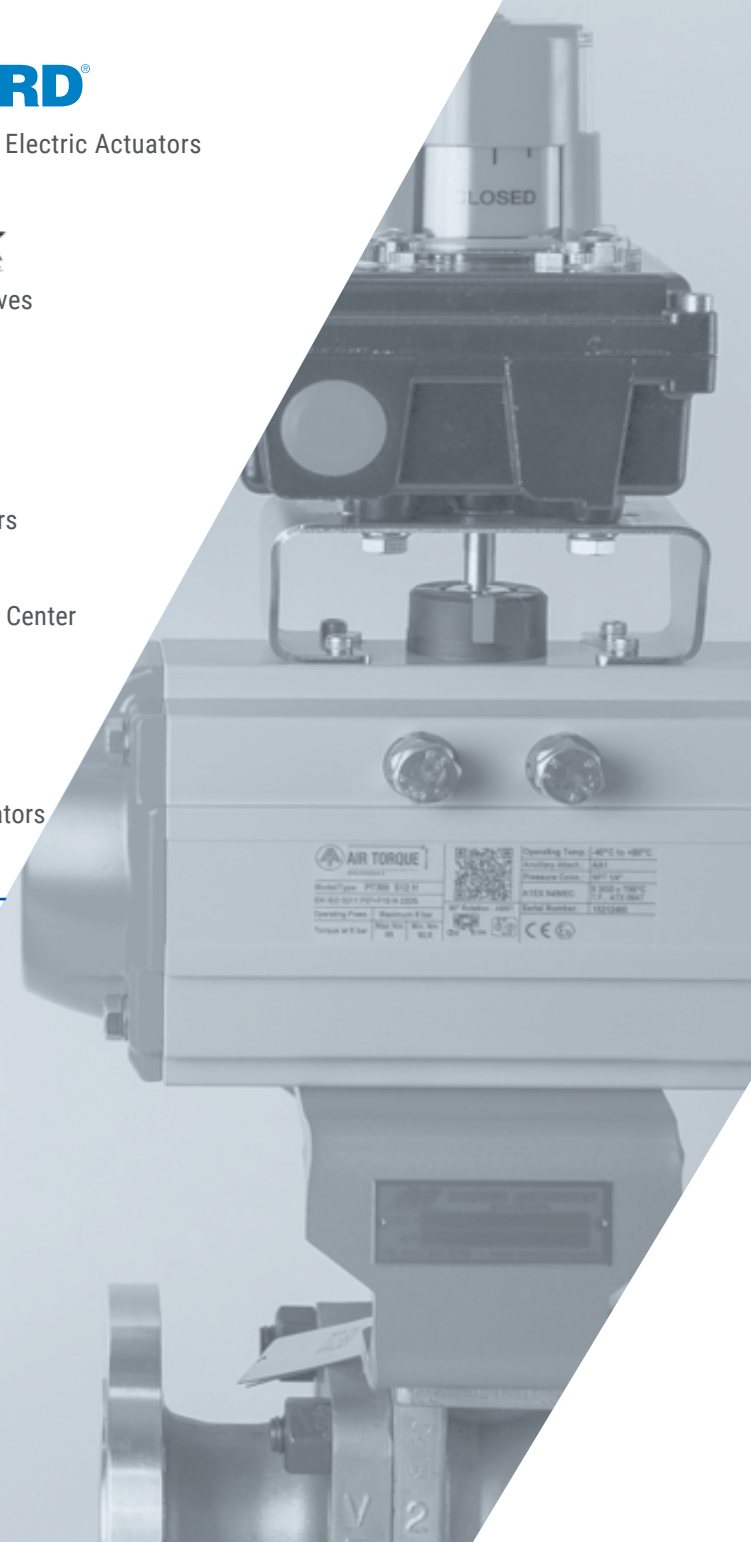
ID *Deacon Industrial Supply offers additional
product lines to specific regions*



Quarter-Turn, Multi-Turn,
and Spring Return Electric Actuators



Hydraulic and Pneumatic
Scotch Yoke Actuators



VALVE AUTOMATION DIVISION | VALVEAUTOMATION@MACOMBGROUP.COM | P: 888.756.4110



BUILT TO SAY YES

24/7 AFTER HOURS EMERGENCY: 586.693.6236 | MACOMBGROUP.COM

VALVES & ACTUATORS

'YES' The Macomb Group carries the products and has the experience you need to solve any size valve automation project. We offer standard and customized solutions to meet each of our customers' unique requirements.

PNEUMATIC, ELECTRIC & ACCESSORIES



Groove End Connection Ball & Butterfly Valves



Solenoid & Air Operated Valves, Angle Body Valves



General Application Ball Valves



Resilient Seated, High Performance Butterfly Valves



First for Steam Solutions

Steam & Process Fluid Linear Globe Control Valves, ANSI 150 & 300, Electric & Pneumatic Drive

D Deacon Industrial Supply offers additional product lines to specific regions



Industrial Process Ball Valves and High Performance Butterfly Valves



Solenoid & Air Operated Valves, Angle Body Valves



VALVE AUTOMATION DIVISION | VALVEAUTOMATION@MACOMBGROUP.COM | P: 888.756.4110

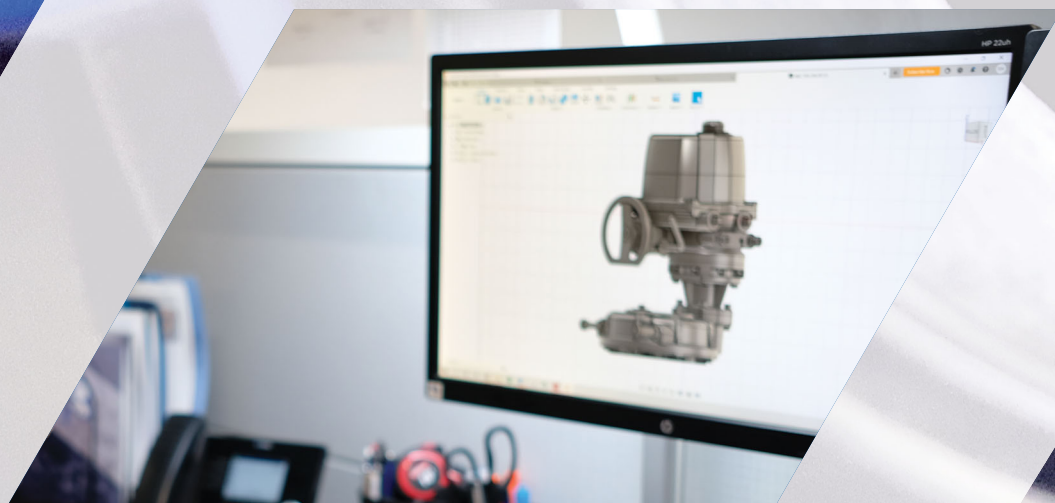
24/7 AFTER HOURS EMERGENCY: 586.693.6236 | MACOMBGROUP.COM



BUILT TO SAY YES[®]

CAPABILITIES

Engineering > Inventory > Sales
3D Modeling > Testing > Support



INSTRUMENTATION & CONTROLS

'YES' we've got that, can get that, can customize, can improve, and 'YES' AGAIN, help you save time and money. The Macomb Group's large inventory of the industry's top brand names along with our branch network means that our customers can get solutions to their complex valve automation projects.

MEASUREMENT & CONTROL



Pneumatic &
Electro Pneumatic Positioners



Mechanical Switches,
Position Indicators



Pressure Gauges, Thermometers,
Control Loop Products



Electromagnetic & Propeller
FlowMeters



Flow, Level, Pressure,
Temperature Measurement



First for Steam Solutions
Single & Multi Loop
Temperature Controllers,
Traps, Separators, Steam Products



Residential, Light Duty,
High Pressure,
& Constant Load
Regulators



Level Control & Transmitters,
Pneumatic Temperature Sensors

ID Deacon Industrial Supply offers additional
product lines to specific regions



Trust the shield.
Temperature and Pressure Instruments



Valve Communication
and Process Networking



VALVE AUTOMATION DIVISION | VALVEAUTOMATION@MACOMBGROUP.COM | P: 888.756.4110



BUILT TO SAY YES

24/7 AFTER HOURS EMERGENCY: 586.693.6236 | MACOMBGROUP.COM

SPECIAL SERVICE VALVES

For over 30 years, The Macomb Group has been saying 'YES' to solving our customers' most complex valve automation projects. Every day we are brought challenges that require a team of industry experts, and every day our team delivers on a promise to find the most effective, cost efficient solutions for our customers' valve automation projects.

QUARTER & MULTI TURN



Severe Service Ball Valves



Knife Gate & Slurry Valves



Pinch, Sleeve & Knife Gate Valves for Water & Waste Applications



Cast Steel Gate & Globe Valves

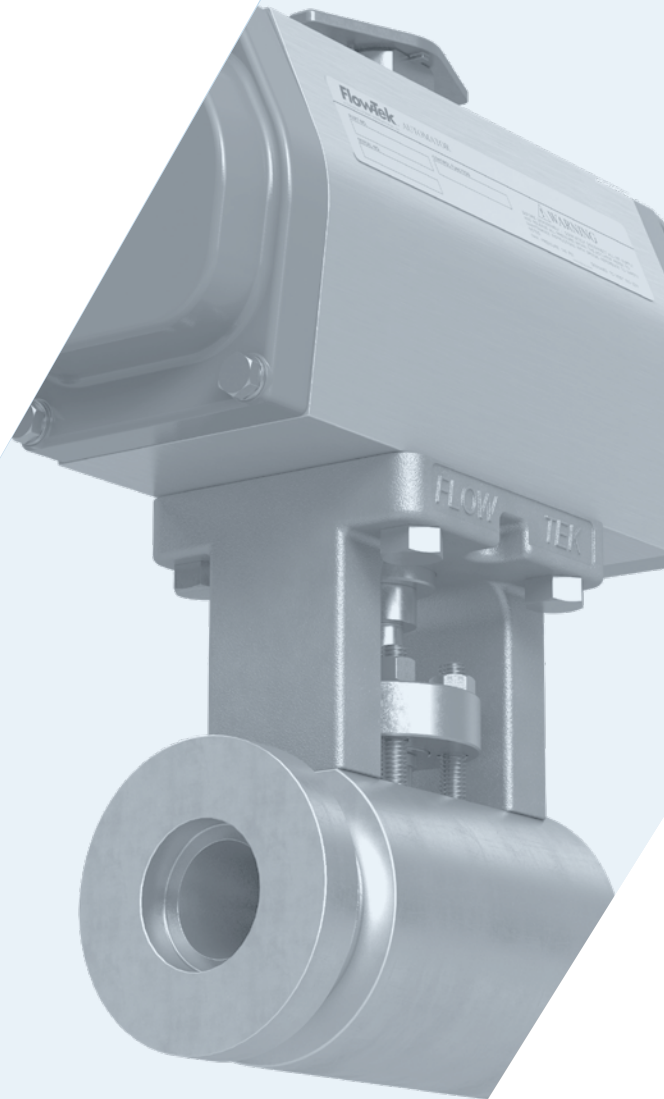


A  Bray Company

PFA Lined Ball, Butterfly, and Check Valves



AWWA Quarter Turn, Multi Turn Valves



VALVE AUTOMATION DIVISION | VALVEAUTOMATION@MACOMBGROUP.COM | P: 888.756.4110

24/7 AFTER HOURS EMERGENCY: 586.693.6236 | MACOMBGROUP.COM



BUILT TO SAY **YES**

VALVE AUTOMATION SERVICES

COMPLETE ASSEMBLY AND CYCLE TESTING

for every automated valve assembly before it leaves our facility

CUSTOMER-REQUIRED TAGGING INFORMATION

is included on an attached stainless steel tag with every assembly we ship along with The Macomb Group sales order number

ENGINEERING AND DESIGN CAPABILITIES

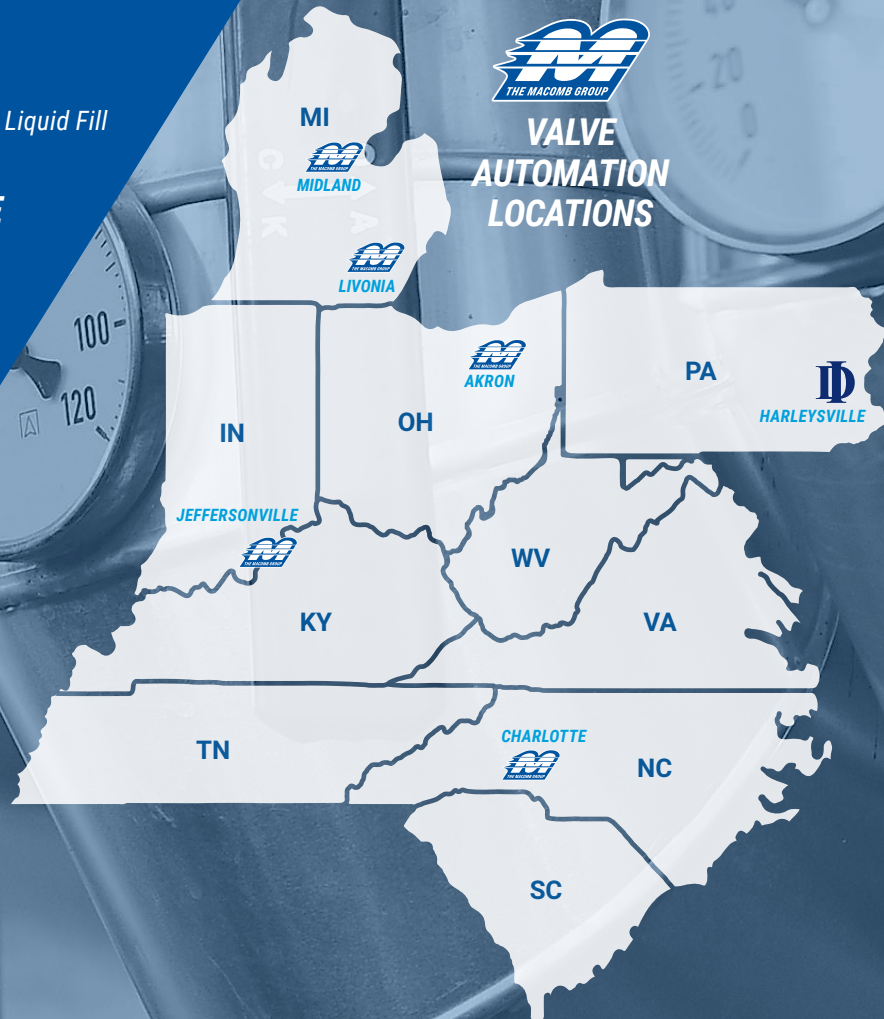
using 2D and 3D Modeling Software

GAUGE SERVICES

including Certification, Diaphragm Assembly, Vacuum & Liquid Fill

IN-HOUSE REPAIR AND FIELD SERVICE

is provided to our customers through our network of service facilities and experienced technicians



VALVE
AUTOMATION
LOCATIONS



BUILT TO SAY **YES**